

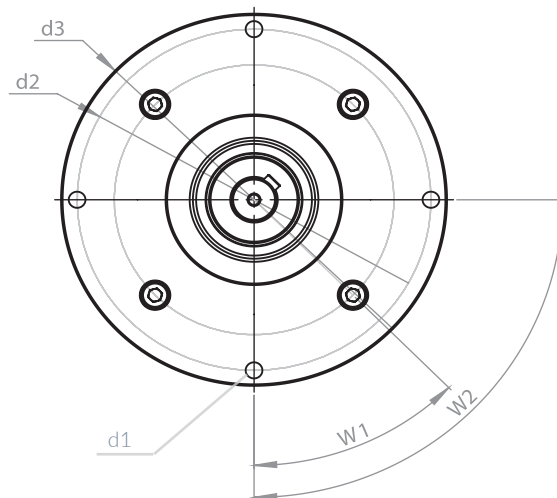
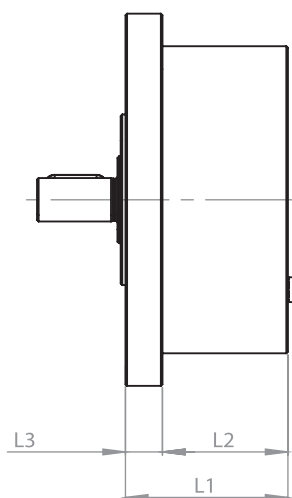
Mounting options

MOUNTING FLANGE



| | | |
|------------|-------------|-------------|
| Drive type | 0450 / 0900 | 1800 / 3600 |
| Art. no. | 1801 | 1804 |

| | | |
|------------|-------------|-------------|
| Drive type | 0450 / 0900 | 1800 / 3600 |
| Art. no. | 1809 | 1812 |



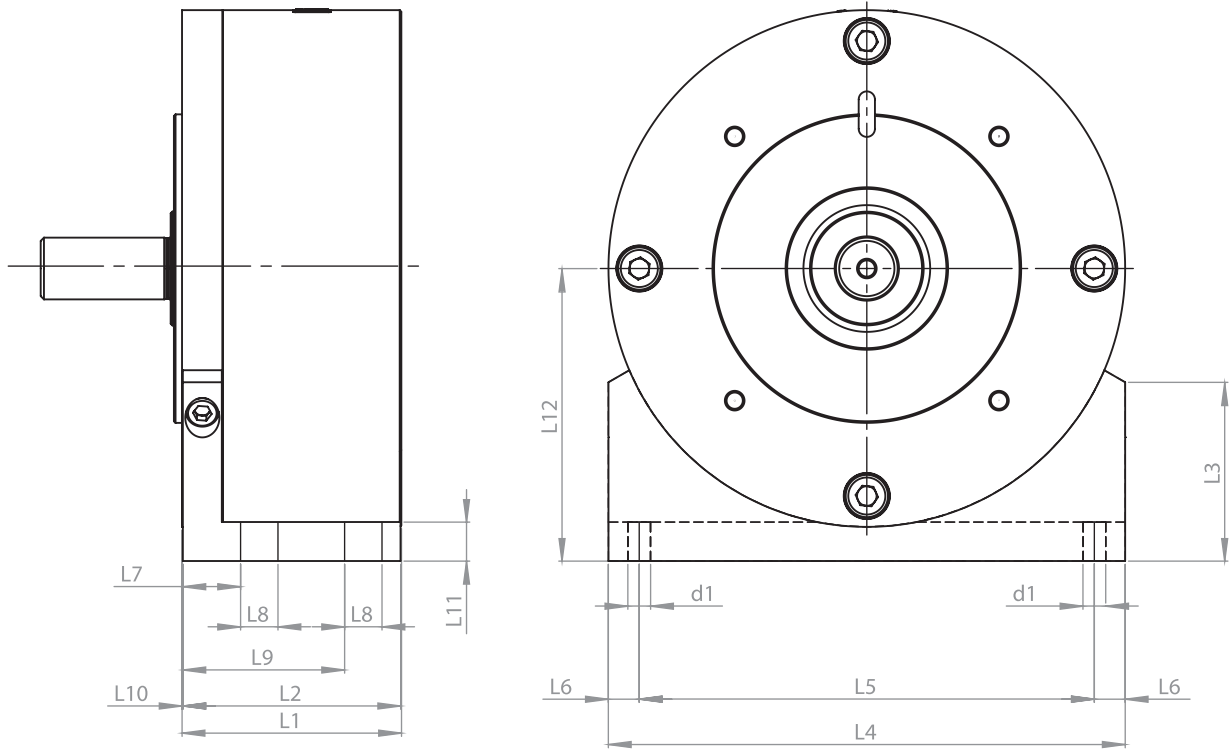
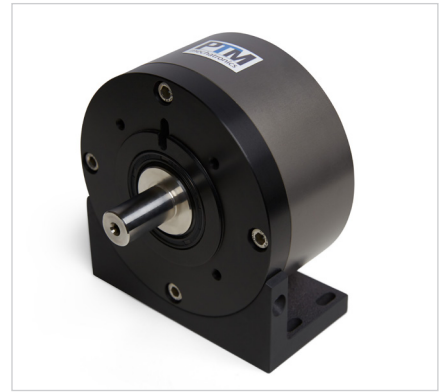
| Art. no. | 0450 | 0900 | 1800 | 3600 |
|----------|------|------|------|------|
| L1 | 50.5 | 65 | 67.5 | 89.5 |
| L2 | 39 | 53.5 | 55 | 77 |
| L3 | 11.5 | 11.5 | 12.5 | 12.5 |
| d1 ø | 5.2 | 5.2 | 8.2 | 8.2 |
| d2 ø | 110 | 110 | 180 | 180 |
| d3 ø | 120 | 120 | 199 | 199 |
| W1 | 45 | 45 | 45 | 45 |
| W2 | 90 | 90 | 90 | 90 |

All dimensions in mm.

WE GENERATE MOVEMENT IN SPECIAL ENVIRONMENTS.

MOUNTING ANGLE

| | | |
|------------|-------------|-------------|
| Drive type | 0450 / 0900 | 1800 / 3600 |
| Art. no. | 1802 | 1805 |



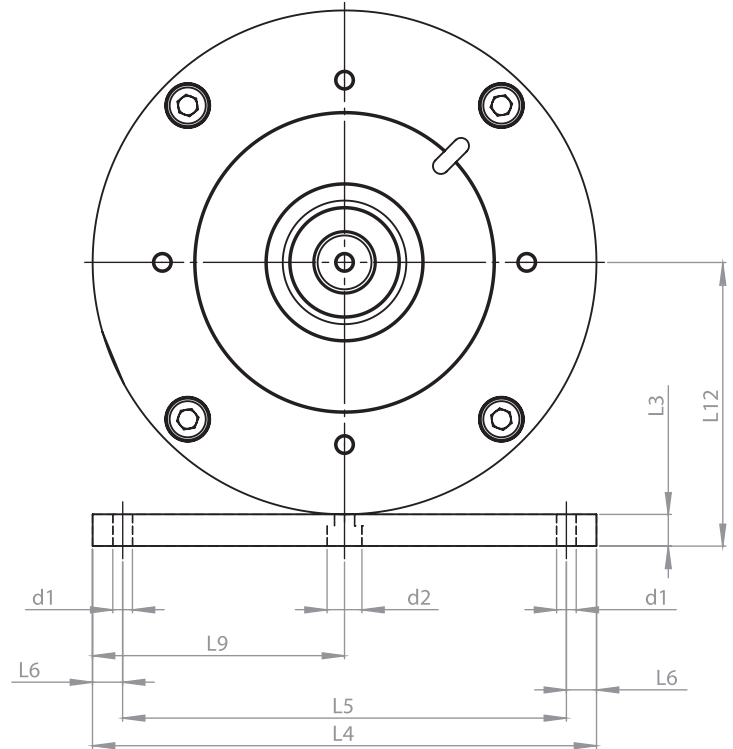
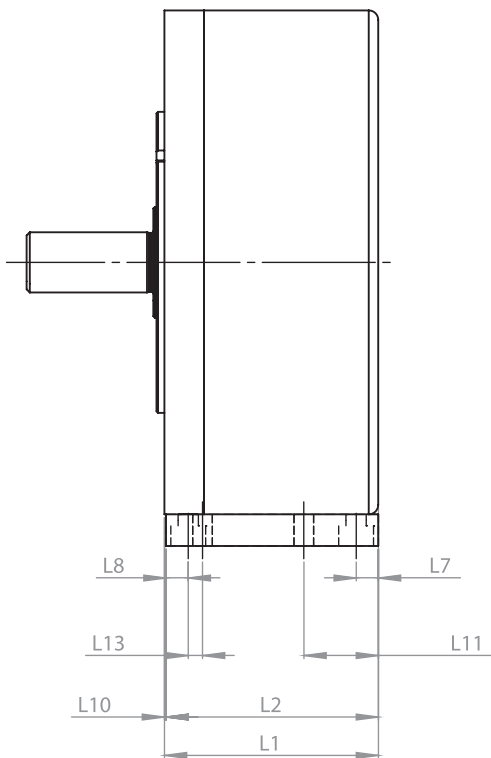
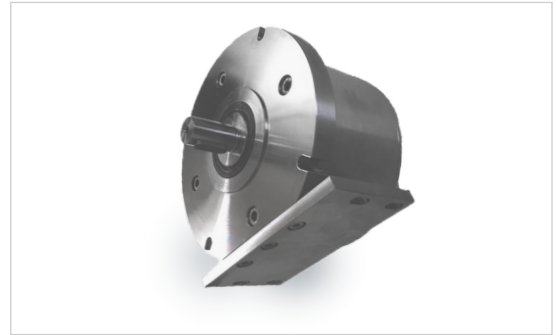
| Drive type | 0450 | 0900 | 1800 | 3600 |
|------------|------|------|------|------|
| L1 | 50.5 | 50.5 | 67.5 | 67.5 |
| L2 | 50 | 50 | 67 | 67 |
| L3 | 40 | 40 | 55 | 55 |
| L4 | 99 | 99 | 159 | 159 |
| L5 | 89 | 89 | 140 | 140 |
| L6 | 5 | 5 | 9.5 | 9.5 |
| L7 | 14.5 | 14.5 | 16 | 16 |
| L8 | 10 | 10 | 15 | 15 |
| L9 | 36.5 | 36.5 | 48 | 48 |
| L10 | 0.5 | 0.5 | 0.5 | 0.5 |
| L11 | 10 | 10 | 12 | 12 |
| L12 | 58 | 58 | 90 | 90 |
| d1 ø | 5 | 5 | 7 | 7 |

All dimensions in mm.

WE GENERATE MOVEMENT IN SPECIAL ENVIRONMENTS.

MOUNTING PLATE INOX

| | | |
|------------|-------------|-------------|
| Drive type | 0450 / 0900 | 1800 / 3600 |
| Art. no. | 1810 | 1813 |



| Drive type | 0450 | 0900 | 1800 | 3600 |
|------------|-------|-------|------|------|
| L1 | 50.5 | 50.5 | 67.5 | 67.5 |
| L2 | 50 | 50 | 67 | 67 |
| L3 | 8.75 | 8.75 | 10 | 10 |
| L4 | 99 | 99 | 159 | 159 |
| L5 | 89 | 89 | 140 | 140 |
| L6 | 5 | 5 | 9.5 | 9.5 |
| L7 | 5.5 | 5.5 | 7 | 7 |
| L8 | 6 | 6 | 7 | 7 |
| L9 | 49.5 | 49.5 | 79.5 | 79.5 |
| L10 | 0.5 | 0.5 | 0.5 | 0.5 |
| L11 | 20 | 20 | 23.5 | 23.5 |
| L12 | 58.25 | 58.25 | 89.5 | 89.5 |
| L13 | 2 | 2 | 4.5 | 4.5 |
| d1 ø | 5.2 | 5.2 | 6.2 | 6.2 |
| d2 ø | 8 | 8 | 11 | 11 |

All dimensions in mm.

WE GENERATE MOVEMENT IN SPECIAL ENVIRONMENTS.



WE GENERATE MOVEMENT IN SPECIAL ENVIRONMENTS.