

Drive and stirring technology for

PHARMA | FOOD | COSMETICS | CHEMICALS | AUTOMATION



Bearing flange



Drive type	0450 / 0900	1800 / 3600
Art. no.	1803	1806

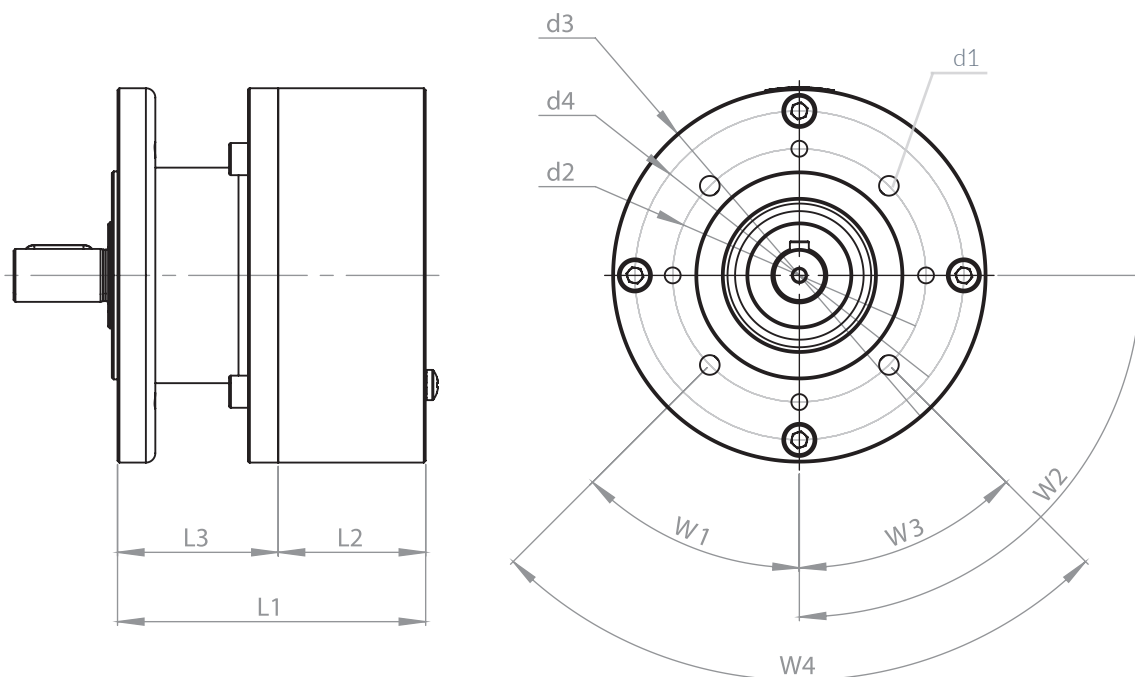
Drive type	0450 / 0900	1800 / 3600
Art. no.	1811	1814



WE GENERATE MOVEMENT IN SPECIAL ENVIRONMENTS.

DIMENSIONS

All dimensions in mm.



Drive type	0450	0900	1800	3600
L1	81.5	96	105.5	127.5
L2	39	53.5	55	77
L3	42.5	42.5	50.5	50.5
d1 ø	5.2	5.2	8.5	8.5
d2 ø	67	67	115	115
d3 ø	99	99	159	159
d4 ø	87	87	140	140
W1	45	45	45	45
W2	90	90	90	90
W3	45	45	20	20
W4	90	90	90	90
Starting torque	4 Nm	8 Nm	16 Nm	32 Nm
Max. axial load	625 N	625 N	1250 N	1250 N
Radial dyn. C	2100 N	2100 N	3500 N	3500 N
Radial stat. Co	1250 N	1250 N	2500 N	2500 N
Max. permissible axial tilting moment	5 Nm	5 Nm	10 Nm	10 Nm
Weight aluminium [kg / lbs]	1.3 / 2.87	1.5 / 3.31	3.8 / 8.38	4.4 / 9.70

WE GENERATE MOVEMENT IN SPECIAL ENVIRONMENTS.