

Drive and stirring technology for

PHARMA | FOOD | COSMETICS | CHEMICALS | AUTOMATION



# IP68 motor



- Radial piston motor
- Protection class IP68
- Housing aluminium anodised
- Four performance variants
- Various transmissions  
(see data sheet  
Performance data & transmission)
- Noise level < 75 dB
- Rotation speed 0-300 1/min reversible
- Oil and silicone-free
- Shaft seal PTFE
- Drive shaft and screws  
made of V4A stainless steel 1.4404
- Compressed air supply 2-6 bar | 30-90 PSI

## MOTOR TYPES

Performance variants	0450 IP68	0900 IP68	1800 IP68	3600 IP68	7200 IP68
Art. No.	1014	1015	1016	1017	1024
Starting torque	35 lbf in   4 Nm	70 lbf in   8 Nm	140 lbf in   16 Nm	280 lbf in   32 Nm	560 lbf in   64 Nm
Max. axial load	45 lbf   200 N	45 lbf   200 N	70 lbf   300 N	70 lbf   300 N	70 lbf   300 N
Radial dyn. C	170 lbf   750 N	170 lbf   750 N	225 lbf   1000 N	225 lbf   1000 N	225 lbf   1000 N
Radial stat. Co	90 lbf   400 N	90 lbf   400 N	135 lbf   600 N	135 lbf   600 N	135 lbf   600 N
Max. perm. tilt moment	45 lbf in   5 Nm	45 lbf in   5 Nm	90 lbf in   10 Nm	90 lbf in   10 Nm	90 lbf in   10 Nm
Weight	2.4 lbs   1.1 kg	2.9 lbs   1.3 kg	7.5 lbs   3.4 kg	8.8 lbs   4 kg	17.4 lbs   7.9 kg
Max. power (at 150 rpm)	0.08 HP   60 W	0.16 HP   120 W	0.22 HP   170 W	0.30 HP   230 W	0.62 HP   460 W

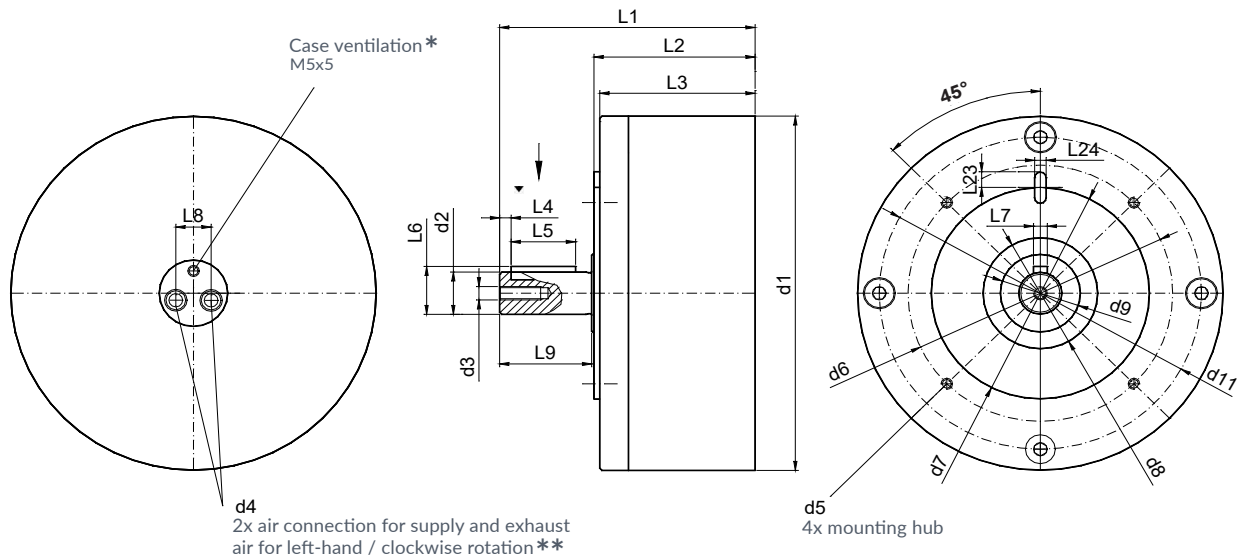
## DRIVE SHAFTS

Drive shaft for motor 450/900	Art. No.
Shaft Ø 0.55in   14mm smooth (with thread M4)	1208
Shaft Ø 0.75in   19mm smooth (with thread M4)	1313
Shaft Ø 0.94in   24mm smooth (with thread M4)	1314
Shaft Ø 0.55in   14mm with tongue and groove	1315
Shaft Ø 0.75in   19mm with tongue and groove	1316
Shaft Ø 0.94in   24mm with tongue and groove	1317
Threaded hub M12	1327
Special shaft max. Ø 1.18in   30mm (with bearing flange max. Ø 1.10in   28mm)	1318

Drive shaft for motor 1800/3600/7200	Art. No.
Shaft Ø 0.75in   19mm smooth (with thread M6)	1211
Shaft Ø 0.94in   24mm smooth (with thread M6)	1319
Shaft Ø 1.26   32mm smooth (with thread M6)	1320
Shaft Ø 0.75in   19mm with tongue and groove	1321
Shaft Ø 0.94in   24mm with tongue and groove	1322
Shaft Ø 1.26   32mm with tongue and groove	1323
Threaded hub M16	1328
Special shaft max. Ø 1.38   35mm (with bearing flange max. Ø 1.18in   30mm)	1324

WE GENERATE MOVEMENT IN SPECIAL ENVIRONMENTS.

# DIMENSIONS



\*The case ventilation must be able to escape freely and without resistance. For motors that are operated in humid environments or under water, the exhaust air must be routed out of the humid area via a hose so that no water can penetrate the housing.

\*\*The exhaust air must be able to escape freely and without resistance. A silencer that is too small can lead to dynamic pressure in the housing.

	Motor 0450 IP68	Motor 0900 IP68	Motor 1800 IP68	Motor 3600 IP68	Motor 7200 IP68
L1	3.07in   78mm	3.64in   92.5mm	4.37in   111mm	5.24in   133mm	7.64in   194mm
L2	2.05in   52mm	2.62in   66.5mm	2.76in   70mm	3.62in   92mm	6.02in   153mm
L3	1.99in   50.5mm	2.56in   65mm	2.66in   67.5mm	3.52in   89.5mm	5.93in   150.5mm
L4	0.12in   3mm	0.12in   3mm	0.20in   5mm	0.20in   5mm	0.20in   5mm
L5	0.71in   18mm	0.71in   18mm	1.10in   28mm	1.10in   28mm	1.10in   28mm
L6	0.63in   16mm	0.63in   16mm	0.85in   21,5mm	0.85in   21,5mm	0.85in   21,5mm
L7	0.20in   5mm N9	0.20in   5mm N9	0.24in   6 N9mm	0.24in   6 N9mm	0.24in   6 N9mm
L8	0.42in   10.6mm	0.42in   10.6mm	0.60in   15.3mm	0.60in   15.3mm	0.60in   15.3mm
L9	0.98in   25mm	0.98in   25mm	1.57in   40mm	1.57in   40mm	1.57in   40mm
L23	0.24in   6mm	0.24in   6mm	0.28in   7mm	0.28in   7mm	0.28in   7mm
L24	0.16in   4mm N9	0.16in   4mm N9	0.2in   5mm N9	0.2in   5mm N9	0.2in   5mm N9
d1 ø	3.90in   99mm	3.90in   99mm	6.26in   159mm	6.26in   159mm	6.26in   159mm
d2 ø	0.55in   14mm h6	0.55in   14mm h6	0.75in   19mm h6	0.75in   19mm h6	0.75in   19mm h6
d3 ø	M4x12mm	M4x12mm	M6x18mm	M6x18mm	M6x18mm
d4 ø	M6x0.75x8mm	M6x0.75x8mm	R1/8x9mm	R1/8x9mm	R1/8x9mm
d5 ø	M4x9mm	M4x9mm	M6x10mm	M6x10mm	M6x10mm
d6 ø	2.64in   67mm	2.64in   67mm	4.53in   115mm	4.53in   115mm	4.53in   115mm
d7 ø	2.17in   55mm h6	2.17in   55mm h6	3.74in   95mm h6	3.74in   95mm h6	3.74in   95mm h6
d8 ø	1.57in   40mm	1.57in   40mm	1.97in   50mm	1.97in   50mm	1.97in   50mm
d9 ø	28in   28mm	28in   28mm	1.38in   35mm	1.38in   35mm	1.38in   35mm
d11 ø	3.43in   87mm	3.43in   87mm	5.51in   140mm	5.51in   140mm	5.51in   140mm

WE GENERATE MOVEMENT IN SPECIAL ENVIRONMENTS.