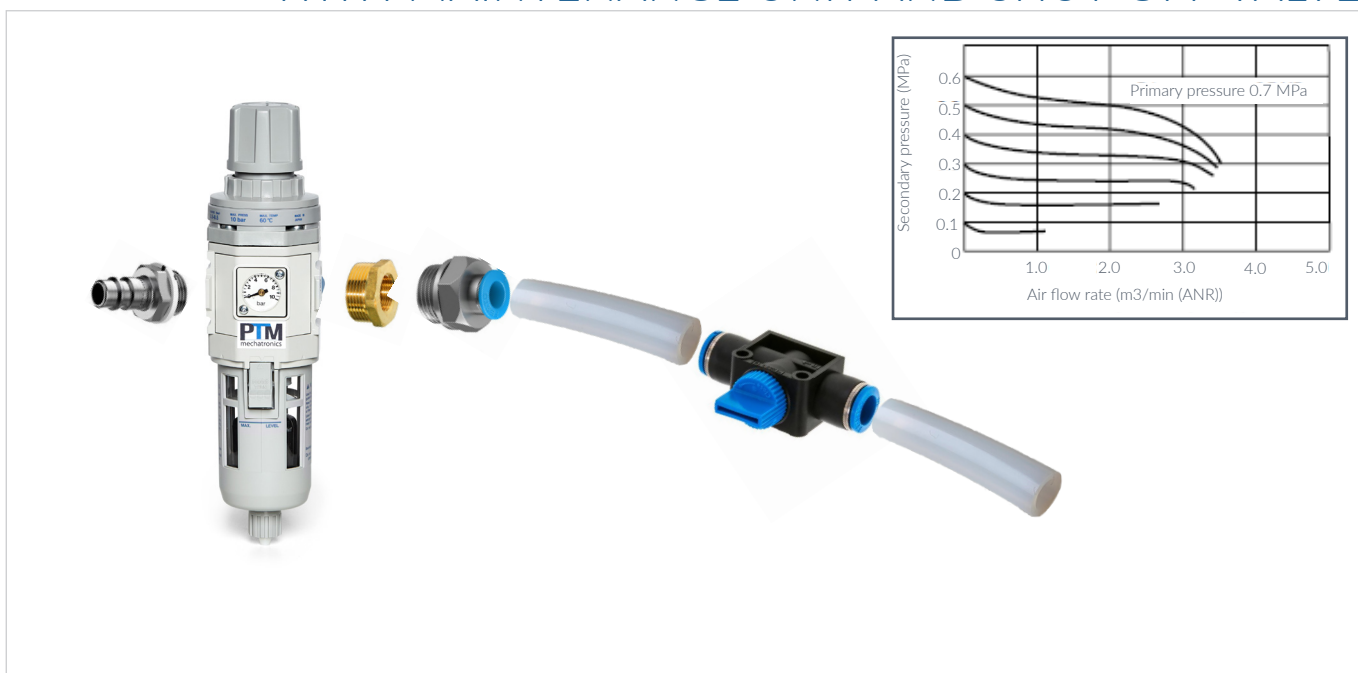


# Compressed air supply accessories

## CONNECTION AND HOSE SET WITH MAINTENANCE UNIT AND SHUT-OFF VALVE



Product	Art. no.
Connection and hose set motor 0450/0900 Hoses FDA-compliant	5904
Connection and hose set motor 1800/3600 Hoses FDA-compliant	5905

Maintenance unit	Technical data
Manometer	0-10 bar
Micro filter	5µm
Condensate tank	45 cm <sup>3</sup> with automatic condensate outlet
Flow rate	3000 l/min
Max. work pressure	1.0 (10 bar)
Pressure relief	With relief mechanism
Connection size	3/8

WE GENERATE MOVEMENT IN SPECIAL ENVIRONMENTS.

## AIR CONNECTION 90°

Drive type*	A	Art. no.
0450 / 0900	6 mm	1839
1800 / 3600	8 mm	1842

\*For details on the drive types, please see the motor data sheet.



## ORIFICE

Speed limitation to protect against overload.

Drive type*	Art. no.
0450 / 0900	1840
1800 / 3600	1843

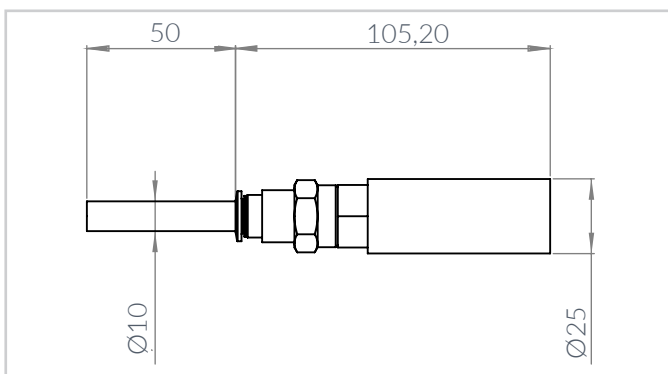
\*For details on the drive types, please see the motor data sheet.



## SILENCER 40dB

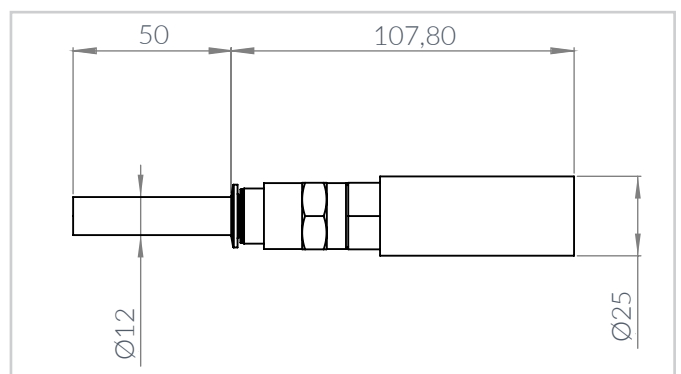


Drive type* 0450 / 0900	
Art. no.	5912
Pneumatic hose	Ø10, 50mm PTFE
Push-in fitting	3/8 on hose 10



\*For details on the drive types, please see the motor data sheet.

Drive type* 1800 / 3600	
Art. no.	5913
Pneumatic hose	Ø12, 50mm PTFE
Push-in fitting	3/8 on hose 12



WE GENERATE MOVEMENT IN SPECIAL ENVIRONMENTS.