

Drive and stirring technology for

PHARMA | FOOD | COSMETICS | CHEMICALS | AUTOMATION



ELECTRIC STIRRER DRIVE eDRIVE



Optional with FDA transmission oil

Agitator lantern with two bearings

Zone separation flange ATEX zone 0/1
with flame-arresting feedthrough
Ex II 1/2 G Ex h IIC T5 Ga/Gb and
Ex II 1/2 D Ex h IIIC T100°C Da/Db

Bearing flange aluminium anodised

Drive shaft flange
V4A stainless steel 1.4404

Shaft seal on eDrive 1200

WE GENERATE MOVEMENT IN SPECIAL ENVIRONMENTS.

TECHNICAL DATA

Motor variants	Art. no.	Power [W]	Torque [Nm]	Speed [1/min]	Motor voltage [V]	Rated current [*] /Δ [A]	Weight	ATEX Gas
Three-phase motor	6620	0.75	5	0-1440	230/400	3.05 / 1.75	14	---
Three-phase motor	6621	0.75	5	0-1445	230/400	2.90 / 1.68	35	Ex db eb IIC T4 Gb
Spur gear motor	6622	1.1	19	0-562	230/400	3.85 / 2.20	16	---
Spur gear motor	6623	1.1	19	0-577	230/400	3.80 / 2.20	18	Ex II 2D Ex h III C T120°C Db
Spur gear motor	6624	1.5	32	0-411	230/400	5.40 / 3.10	22	---
Spur gear motor	6625	1.5	33	0-439	230/400	5.10 / 2.90	49	Ex db eb IIC T4 Gb
Spur gear motor	6626	1.5	58	0-245	230/400	5.40 / 3.10	23	---
Spur gear motor	6627	1.5	59	0-244	230/400	5.10 / 2.90	49	Ex db eb IIC T4 Gb

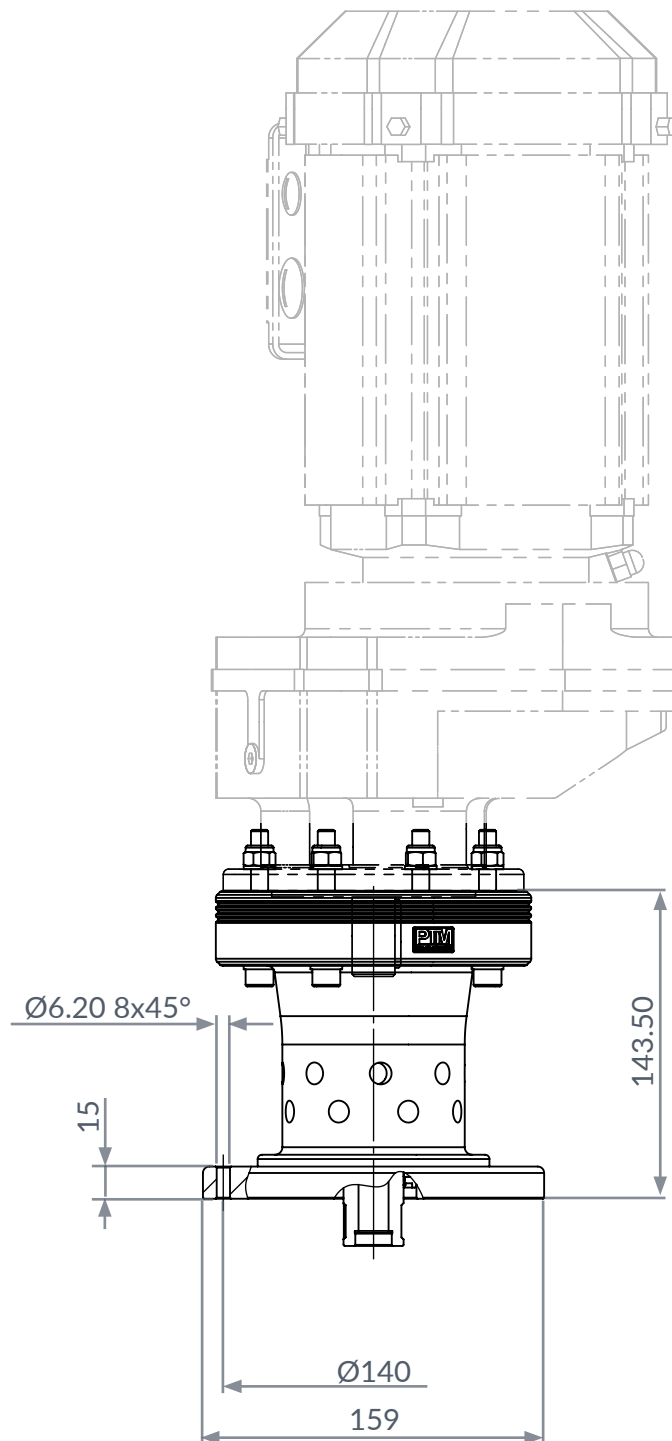
ZONE SEPARATION FLANGES

Flange variants	Art. no.	Seals
e-Drive zone separation flange ATEX 0/1 1200 with M16	5611	Shaft seal PTFE and flameproof
e-Drive zone separation flange ATEX 0/1 1200 with M27	5618	Shaft seal PTFE and flameproof
e-Drive zone separation flange ATEX 0/1 1200 with quick-change system V2 small	5610	Shaft seal PTFE and flameproof
e-Drive zone separation flange ATEX 0/1 1200 with quick-change system V3 large	5613	Shaft seal PTFE and flameproof
e-Drive zone separation flange ATEX 0/1 1200 with quick-change system V4 large	5612	Shaft seal PTFE and flameproof
e-Drive zone separation flange ATEX 0/1 1600 with M16	5615	Flameproof
e-Drive zone separation flange ATEX 0/1 1600 with M27	5619	Flameproof
e-Drive zone separation flange ATEX 0/1 1600 with quick-change system V2 small	5614	Flameproof
e-Drive zone separation flange ATEX 0/1 1600 with quick-change system V3 large	5617	Flameproof
e-Drive zone separation flange ATEX 0/1 1600 with quick-change system V4 large	5616	Flameproof

WE GENERATE MOVEMENT IN SPECIAL ENVIRONMENTS.

DIMENSIONS

All dimensions in mm.



WE GENERATE MOVEMENT IN SPECIAL ENVIRONMENTS.