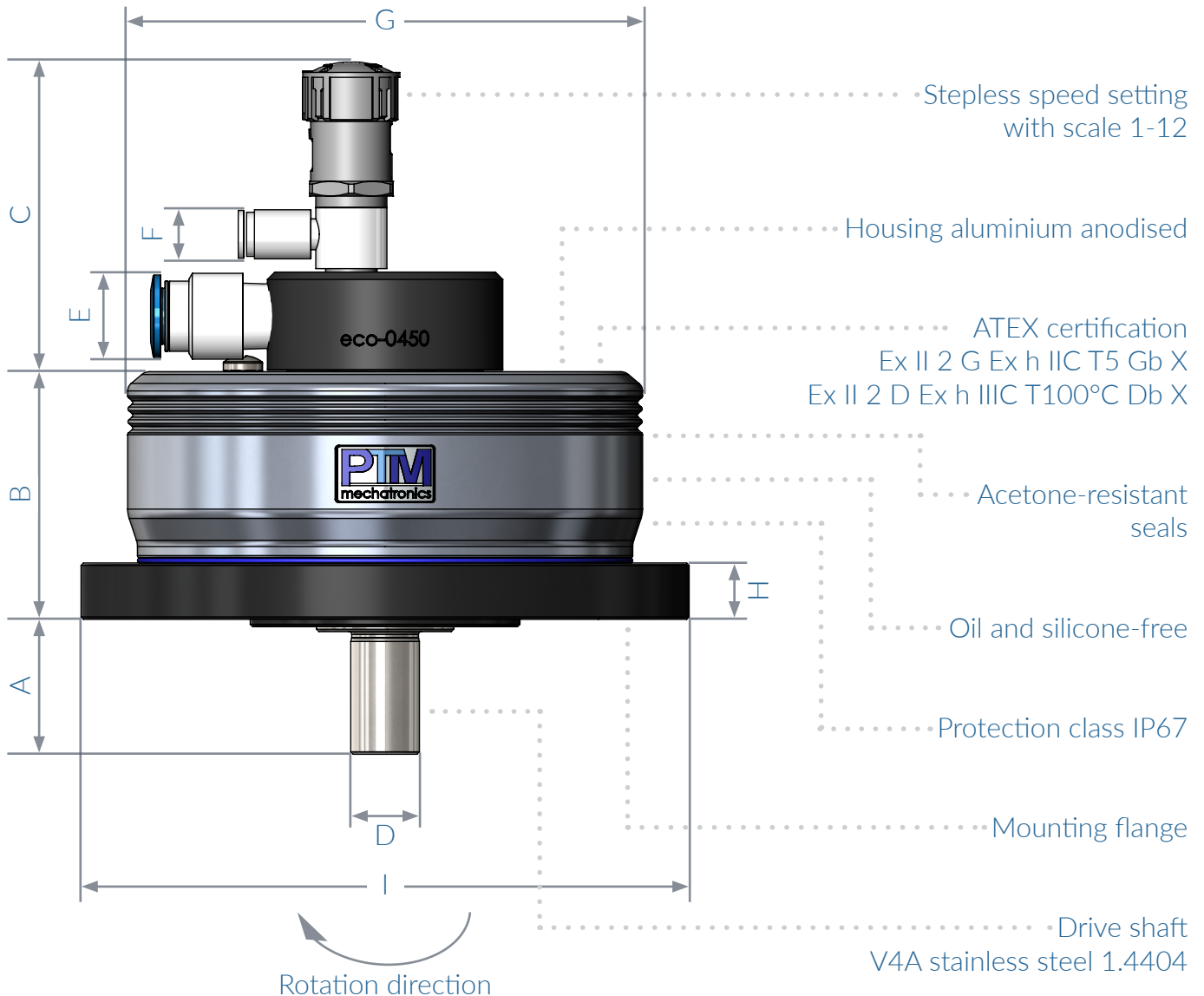


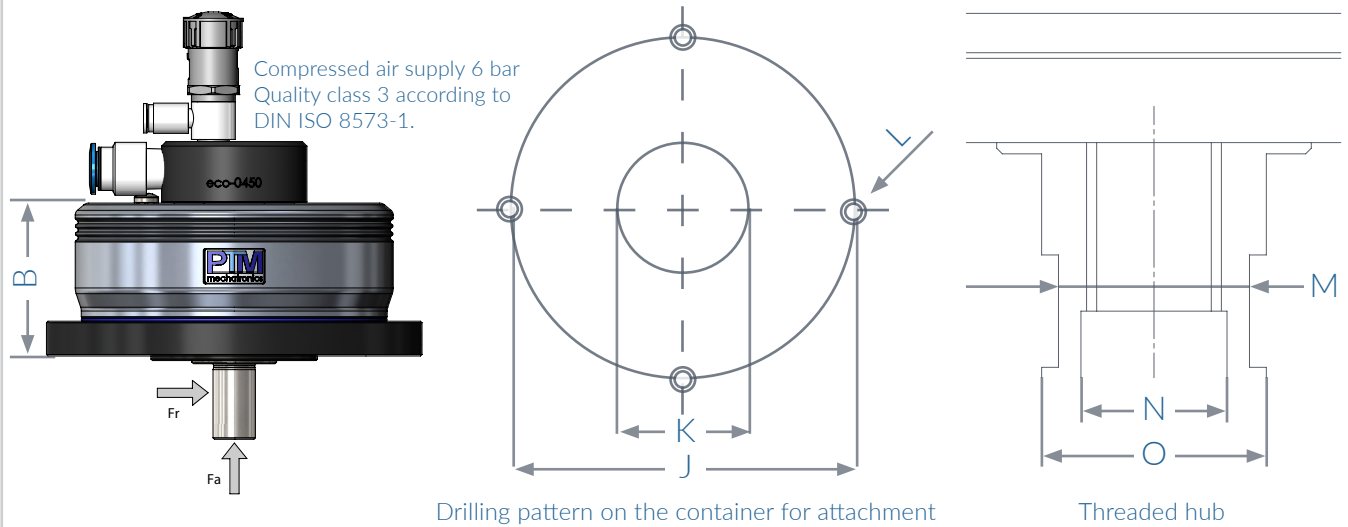
Agitator drive eco with mounting flange



Sizes	Art. No.	Air consumption at 100 rpm and medium performance	A	B	C	D	E	F	G	H	I
eco 450	1807	25 L/min	27.5	50.5	65	Ø14h6	10	6	105	11.5	Ø124
eco 900		50 L/min	27.5	65	65	Ø14h6	10	6	105	11.5	Ø124
eco 1800	1808	100 L/min	43.5	67.5	70	Ø19h6	12	8	169	12.5	Ø199
eco 3600		200 L/min	43.5	89.5	70	Ø19h6	12	8	169	12.5	Ø199

All dimensions in mm.

WE GENERATE MOVEMENT IN SPECIAL ENVIRONMENTS.



Variants	B	J	K	L	M	N	O	Torque	Rotation speed	Radial load Fr	Axial load Fa
eco 450	50.5	Ø115	Ø55	M5	SW17	M12	Ø20	4 Nm	0-300 rpm	75 N	100 N
with transmission 1:2	93	Ø115	Ø55	M5	SW17	M12	Ø20	2 Nm	0-600 rpm	75 N	100 N
with transmission 3:1	93	Ø115	Ø55	M5	SW17	M12	Ø20	12 Nm	0-100 rpm	75 N	100 N
with transmission 9:1	119	Ø115	Ø55	M5	SW17	M12	Ø20	36 Nm	0-33 rpm	75 N	100 N
eco 900	65	Ø115	Ø55	M5	SW17	M12	Ø20	8 Nm	0-300 rpm	75 N	100 N
with transmission 1:2	107.5	Ø115	Ø55	M5	SW17	M12	Ø20	4 Nm	0-600 rpm	75 N	100 N
with transmission 3:1	107.5	Ø115	Ø55	M5	SW17	M12	Ø20	24 Nm	0-100 rpm	75 N	100 N
with transmission 9:1	133.5	Ø115	Ø55	M5	SW17	M12	Ø20	72 Nm	0-33 rpm	75 N	100 N
eco 1800	67.5	Ø183	Ø95	M8	SW24	M16	Ø30	16 Nm	0-300 rpm	75 N	200 N
with transmission 1:2	117.5	Ø183	Ø95	M8	SW24	M16	Ø30	8 Nm	0-600 rpm	75 N	200 N
with transmission 3:1	117.5	Ø183	Ø95	M8	SW24	M16	Ø30	48 Nm	0-100 rpm	75 N	200 N
with transmission 9:1	149	Ø183	Ø95	M8	SW24	M16	Ø30	144 Nm	0-33 rpm	75 N	200 N
eco 3600	89.5	Ø183	Ø95	M8	SW24	M16	Ø30	32 Nm	0-300 rpm	75 N	200 N
with transmission 1:2	139.5	Ø183	Ø95	M8	SW24	M16	Ø30	16 Nm	0-600 rpm	75 N	200 N
with transmission 3:1	139.5	Ø183	Ø95	M8	SW24	M16	Ø30	96 Nm	0-100 rpm	75 N	200 N
with transmission 9:1	171	Ø183	Ø95	M8	SW24	M16	Ø30	288 Nm	0-33 rpm	75 N	200 N

WE GENERATE MOVEMENT IN SPECIAL ENVIRONMENTS.