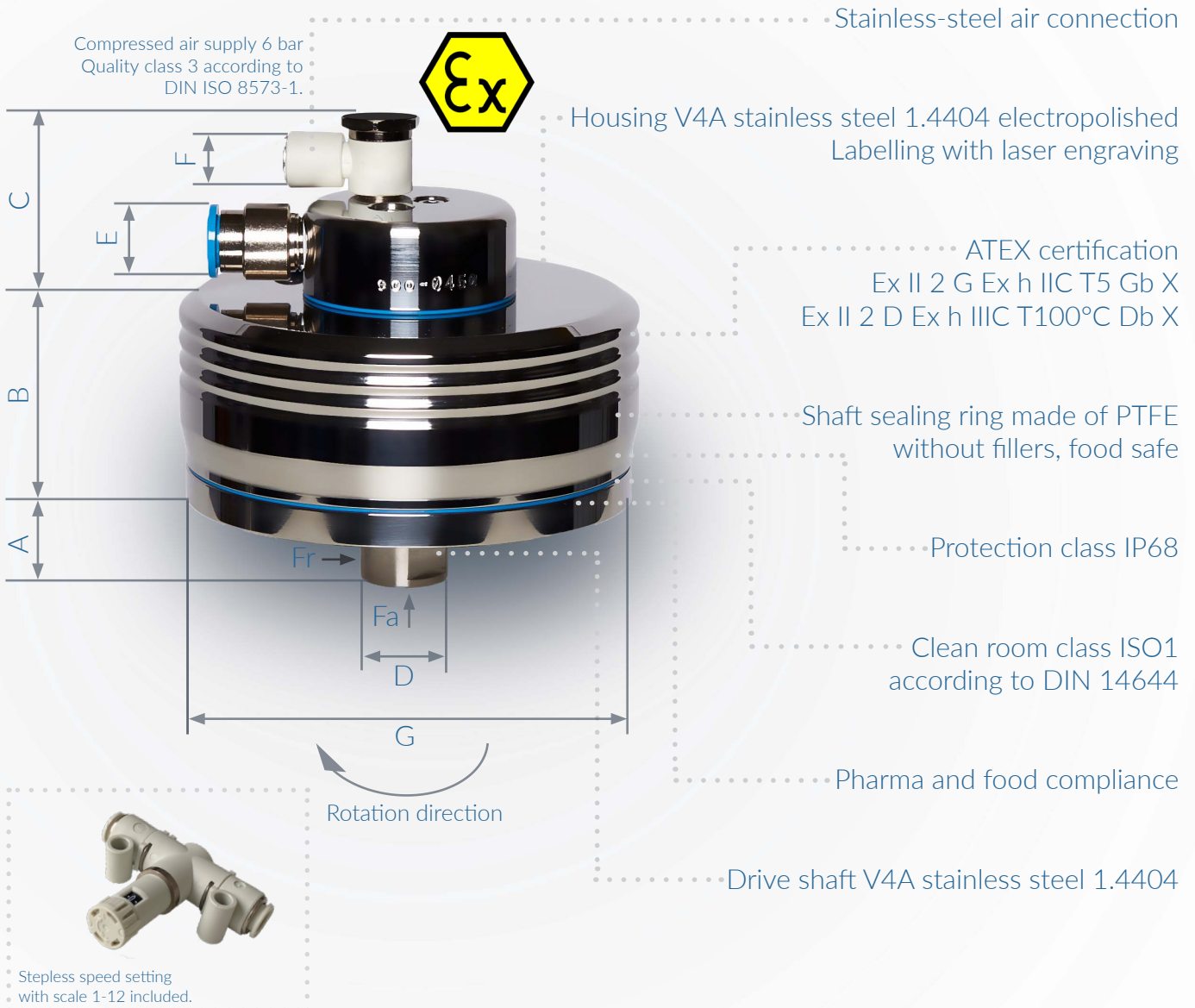


Drive and stirring technology for

PHARMA | FOOD | COSMETICS | CHEMICALS | AUTOMATION



Agitator drive eco INOX

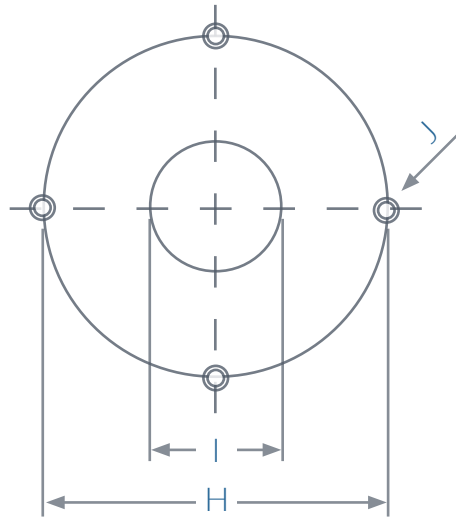


Types	Art. no.	Air consumption at 100 rpm and medium performance	A	B	C	D*	E	F	G
eco 450	5876	25 l/min	27.5	50.5	38.5	Ø14h6	10	6	105
eco 900	5877	50 l/min	27.5	65	38.5	Ø14h6	10	6	105
eco 1800	5878	100 l/min	43.5	67.5	51.5	Ø19h6	12	8	169
eco 3600	5879	200 l/min	43.5	89.5	51.5	Ø19h6	12	8	169

All dimensions in mm.

*Please refer to the BASIC motor data sheet for other drive shaft types.

WE GENERATE MOVEMENT IN SPECIAL ENVIRONMENTS.



Drilling pattern on the container for attachment

Variants	B	H	I	J	Torque	Rotation speed +/-10%	Radial load Fr	Axial load Fa
eco 450	50.5	Ø67	Ø55h6	Ø4.5	4 Nm	0-300 rpm	750 N	200 N
with transmission 1:2	93	Ø67	Ø55h6	Ø4.5	2 Nm	0-600 rpm	500 N	67.5 N
with transmission 3:1	93	Ø67	Ø55h6	Ø4.5	12 Nm	0-100 rpm	750 N	200 N
with transmission 9:1	119	Ø67	Ø55h6	Ø4.5	36 Nm	0-25 rpm	750 N	200 N
eco 900	65	Ø67	Ø55h6	Ø4.5	8 Nm	0-300 rpm	750 N	200 N
with transmission 1:2	107.5	Ø67	Ø55h6	Ø4.5	4 Nm	0-600 rpm	500 N	67.5 N
with transmission 3:1	107.5	Ø67	Ø55h6	Ø4.5	24 Nm	0-100 rpm	750 N	200 N
with transmission 9:1	133.5	Ø67	Ø55h6	Ø4.5	72 Nm	0-25 rpm	750 N	200 N
eco 1800	67.5	Ø115	Ø95h6	Ø6.5	16 Nm	0-300 rpm	1000 N	300 N
with transmission 1:2	117.5	Ø115	Ø95h6	Ø6.5	8 Nm	0-600 rpm	1000 N	300 N
with transmission 3:1	117.5	Ø115	Ø95h6	Ø6.5	48 Nm	0-100 rpm	1000 N	300 N
with transmission 9:1	149	Ø115	Ø95h6	Ø6.5	144 Nm	0-25 rpm	1000 N	300 N
eco 3600	89.5	Ø115	Ø95h6	Ø6.5	32 Nm	0-300 rpm	1000 N	300 N
with transmission 1:2	139.5	Ø115	Ø95h6	Ø6.5	16 Nm	0-600 rpm	1000 N	300 N
with transmission 3:1	139.5	Ø115	Ø95h6	Ø6.5	96 Nm	0-100 rpm	1000 N	300 N
with transmission 9:1	171	Ø115	Ø95h6	Ø6.5	288 Nm	0-25 rpm	1000 N	300 N

WE GENERATE MOVEMENT IN SPECIAL ENVIRONMENTS.