

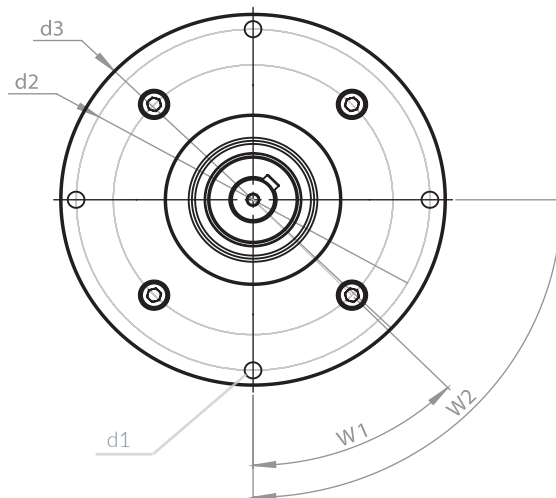
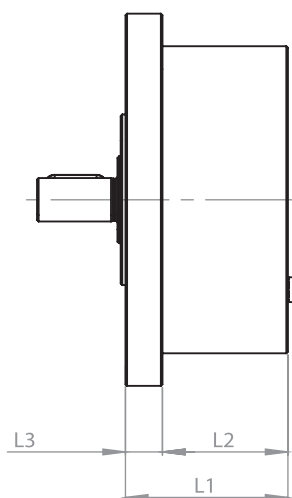
# Mounting options

## MOUNTING FLANGE



Drive type	0450 / 0900	1800 / 3600
Art. No.	1801	1804

Drive type	0450 / 0900	1800 / 3600
Art. No.	1809	1812



Art. No.	0450	0900	1800	3600
L1	50.5	65	67.5	89.5
L2	39	53.5	55	77
L3	11.5	11.5	12.5	12.5
d1 ø	5.2	5.2	8.5	8.5
d2 ø	110	110	180	180
d3 ø	120	120	199	199
W1	45	45	45	45
W2	90	90	90	90

All dimensions in mm.

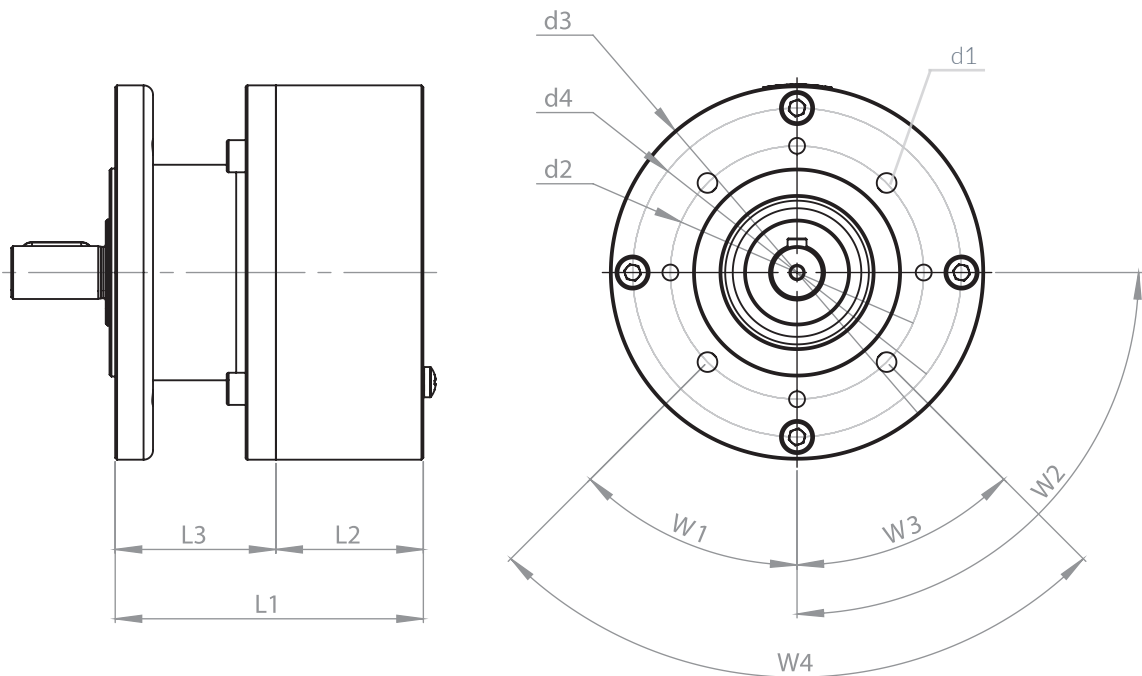
WE GENERATE MOVEMENT IN SPECIAL ENVIRONMENTS.

# BEARING FLANGE



Drive type	0450 / 0900	1800 / 3600
Art. No.	1803	1806

Drive type	0450 / 0900	1800 / 3600
Art. No.	1811	1814



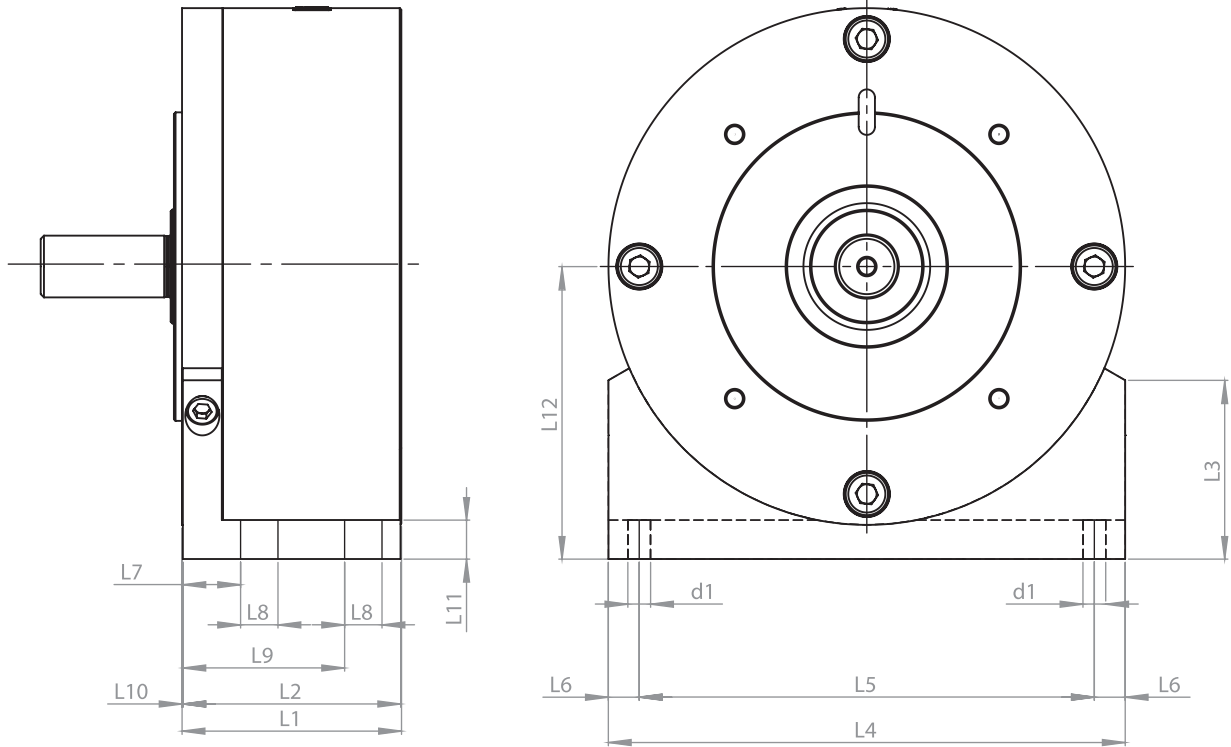
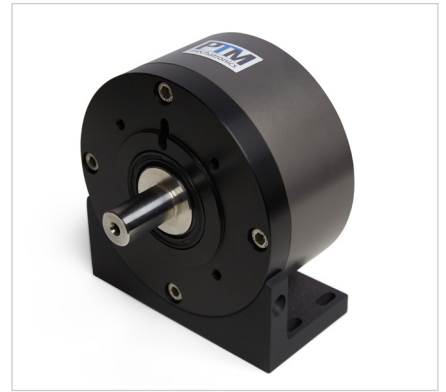
Drive type	0450	0900	1800	3600
L1	81.5	96	109.5	131.5
L2	39	53.5	55	77
L3	42.5	42.5	54.5	54.5
d1 ø	5.2	5.2	8.5	8.5
d2 ø	67	67	115	115
d3 ø	99	99	159	159
d4 ø	87	87	140	140
W1	45	45	45	45
W2	90	90	90	90
W3	45	45	20	20
W4	90	90	90	90

All dimensions in mm.

WE GENERATE MOVEMENT IN SPECIAL ENVIRONMENTS.

# MOUNTING ANGLE

Drive type	0450 / 0900	1800 / 3600
Art. No.	1802	1805



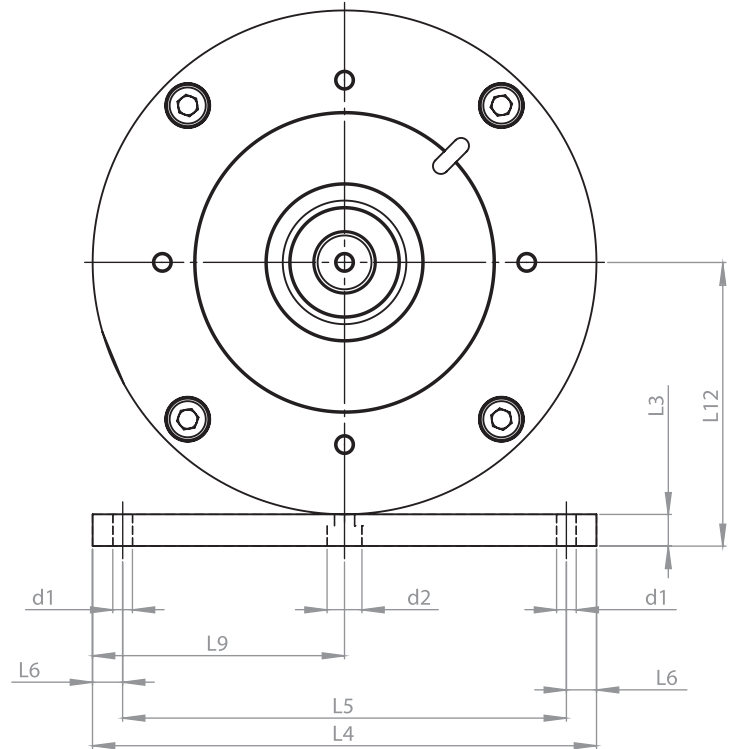
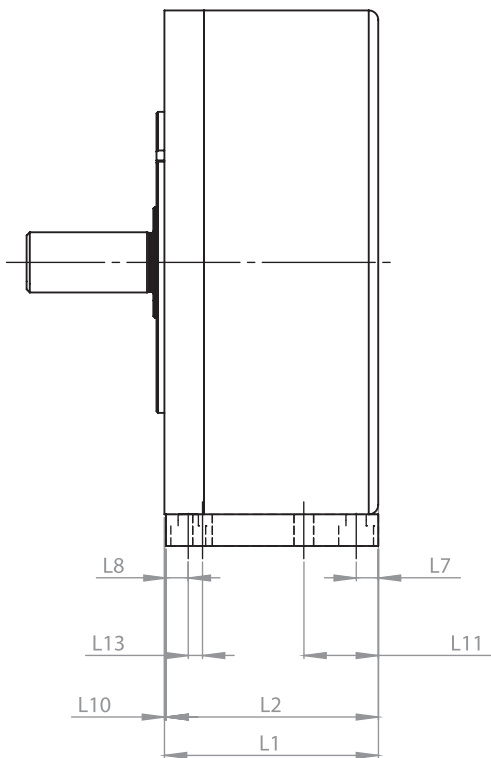
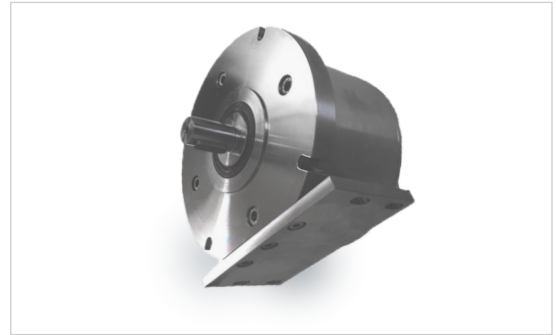
Drive type	0450	0900	1800	3600
L1	50.5	50.5	67.5	67.5
L2	50	50	67	67
L3	40	40	55	55
L4	99	99	159	159
L5	89	89	140	140
L6	5	5	9.5	9.5
L7	14.5	14.5	16	16
L8	10	10	15	15
L9	36.5	36.5	48	48
L10	0.5	0.5	0.5	0.5
L11	10	10	12	12
L12	58	58	90	90
d1 ø	5	5	7	7

All dimensions in mm.

WE GENERATE MOVEMENT IN SPECIAL ENVIRONMENTS.

# MOUNTING PLATE INOX

Drive type	0450 / 0900	1800 / 3600
Art. No.	1810	1813



Drive type	0450	0900	1800	3600
L1	50.5	50.5	67.5	67.5
L2	50	50	67	67
L3	8.75	8.75	10	10
L4	99	99	159	159
L5	89	89	140	140
L6	5	5	9.5	9.5
L7	5.5	5.5	7	7
L8	6	6	7	7
L9	49.5	49.5	79.5	79.5
L10	0.5	0.5	0.5	0.5
L11	20	20	23.5	23.5
L12	58.25	58.25	89.5	89.5
L13	2	2	4.5	4.5
d1 ø	5.2	5.2	6.2	6.2
d2 ø	8	8	11	11

All dimensions in mm.

WE GENERATE MOVEMENT IN SPECIAL ENVIRONMENTS.