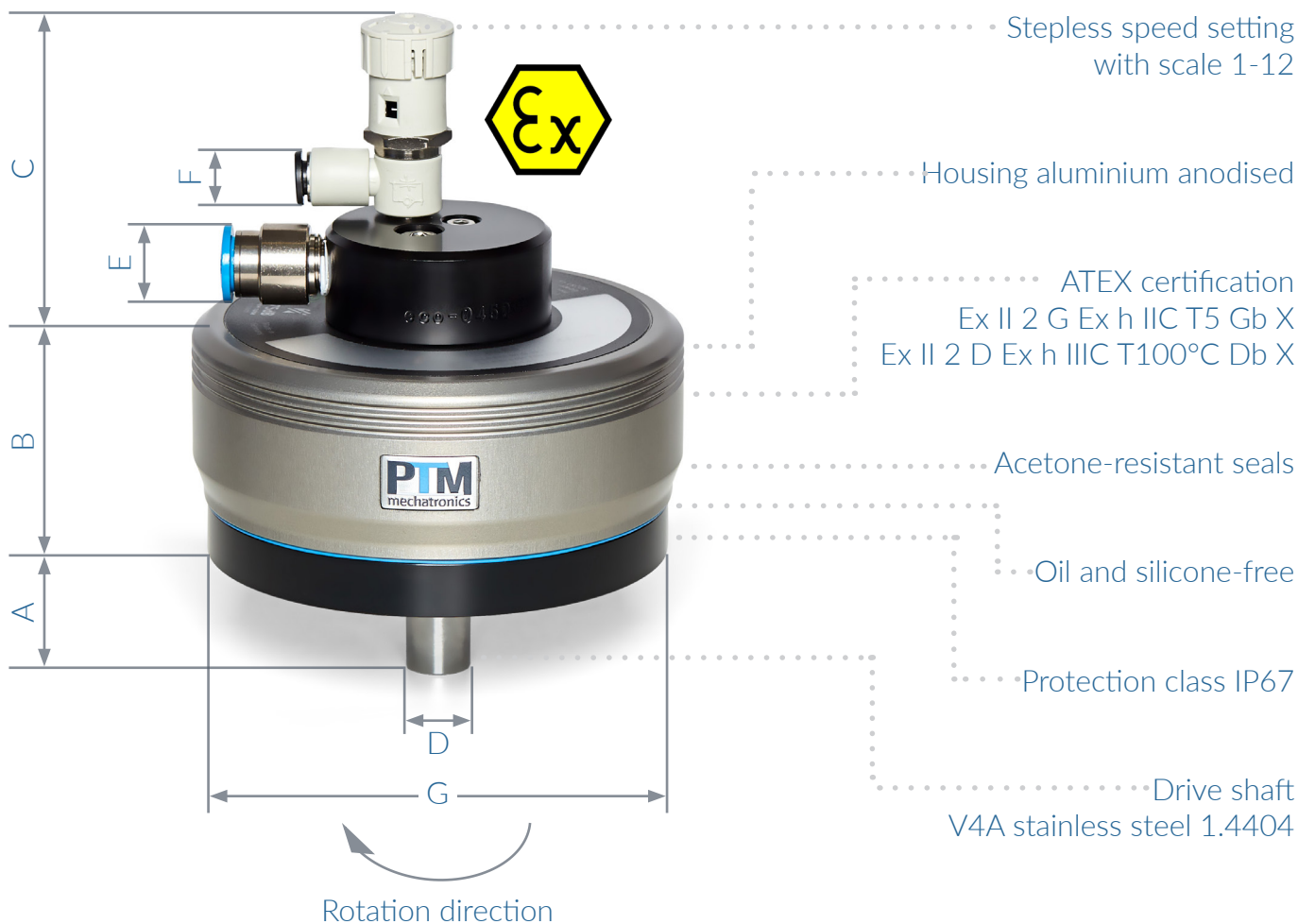


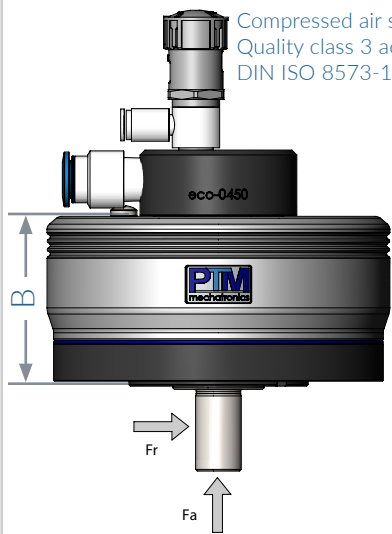
Agitator drive eco



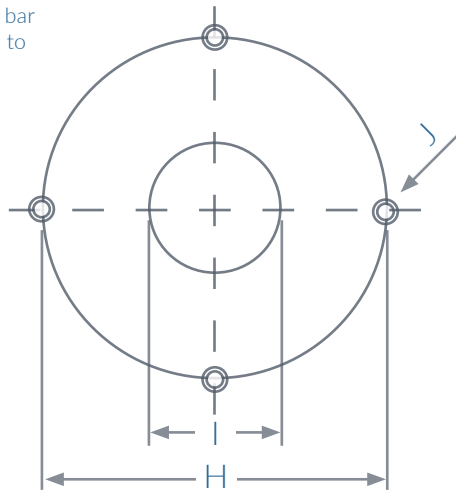
Types	Art. No.	Air consumption at 100 rpm and medium performance	A	B	C	D	E	F	G
eco 450	5001	25 L/min	27.5	50.5	65	Ø14h6	10	6	105
eco 900	5002	50 L/min	27.5	65	65	Ø14h6	10	6	105
eco 1800	5003	100 L/min	43.5	67.5	70	Ø19h6	12	8	169
eco 3600	5004	200 L/min	43.5	89.5	70	Ø19h6	12	8	169

All dimensions in mm.

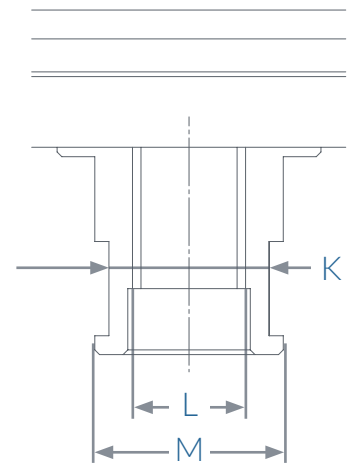
WE GENERATE MOVEMENT IN SPECIAL ENVIRONMENTS.



Compressed air supply 6 bar
Quality class 3 according to
DIN ISO 8573-1.



Drilling pattern on the container for attachment



Threaded hub

Variants	B	H	I	J	K	L	M	Torque	Rotation speed	Radial load Fr	Axial load Fa
eco 450	50.5	Ø67	Ø55	Ø4.5	SW17	M12	Ø20	4 Nm	0-300 rpm	75 N	100 N
with transmission 1:2	93	Ø67	Ø55	Ø4.5	SW17	M12	Ø20	2 Nm	0-600 rpm	75 N	100 N
with transmission 3:1	93	Ø67	Ø55	Ø4.5	SW17	M12	Ø20	12 Nm	0-100 rpm	75 N	100 N
with transmission 9:1	119	Ø67	Ø55	Ø4.5	SW17	M12	Ø20	36 Nm	0-33 rpm	75 N	100 N
eco 900	65	Ø67	Ø55	Ø4.5	SW17	M12	Ø20	8 Nm	0-300 rpm	75 N	100 N
with transmission 1:2	107.5	Ø67	Ø55	Ø4.5	SW17	M12	Ø20	4 Nm	0-600 rpm	75 N	100 N
with transmission 3:1	107.5	Ø67	Ø55	Ø4.5	SW17	M12	Ø20	24 Nm	0-100 rpm	75 N	100 N
with transmission 9:1	133.5	Ø67	Ø55	Ø4.5	SW17	M12	Ø20	72 Nm	0-33 rpm	75 N	100 N
eco 1800	67.5	Ø115	Ø95	Ø6.5	SW24	M16	Ø30	16 Nm	0-300 rpm	75 N	200 N
with transmission 1:2	117.5	Ø115	Ø95	Ø6.5	SW24	M16	Ø30	8 Nm	0-600 rpm	75 N	200 N
with transmission 3:1	117.5	Ø115	Ø95	Ø6.5	SW24	M16	Ø30	48 Nm	0-100 rpm	75 N	200 N
with transmission 9:1	149	Ø115	Ø95	Ø6.5	SW24	M16	Ø30	144 Nm	0-33 rpm	75 N	200 N
eco 3600	89.5	Ø115	Ø95	Ø6.5	SW24	M16	Ø30	32 Nm	0-300 rpm	75 N	200 N
with transmission 1:2	139.5	Ø115	Ø95	Ø6.5	SW24	M16	Ø30	16 Nm	0-600 rpm	75 N	200 N
with transmission 3:1	139.5	Ø115	Ø95	Ø6.5	SW24	M16	Ø30	96 Nm	0-100 rpm	75 N	200 N
with transmission 9:1	171	Ø115	Ø95	Ø6.5	SW24	M16	Ø30	288 Nm	0-33 rpm	75 N	200 N

WE GENERATE MOVEMENT IN SPECIAL ENVIRONMENTS.