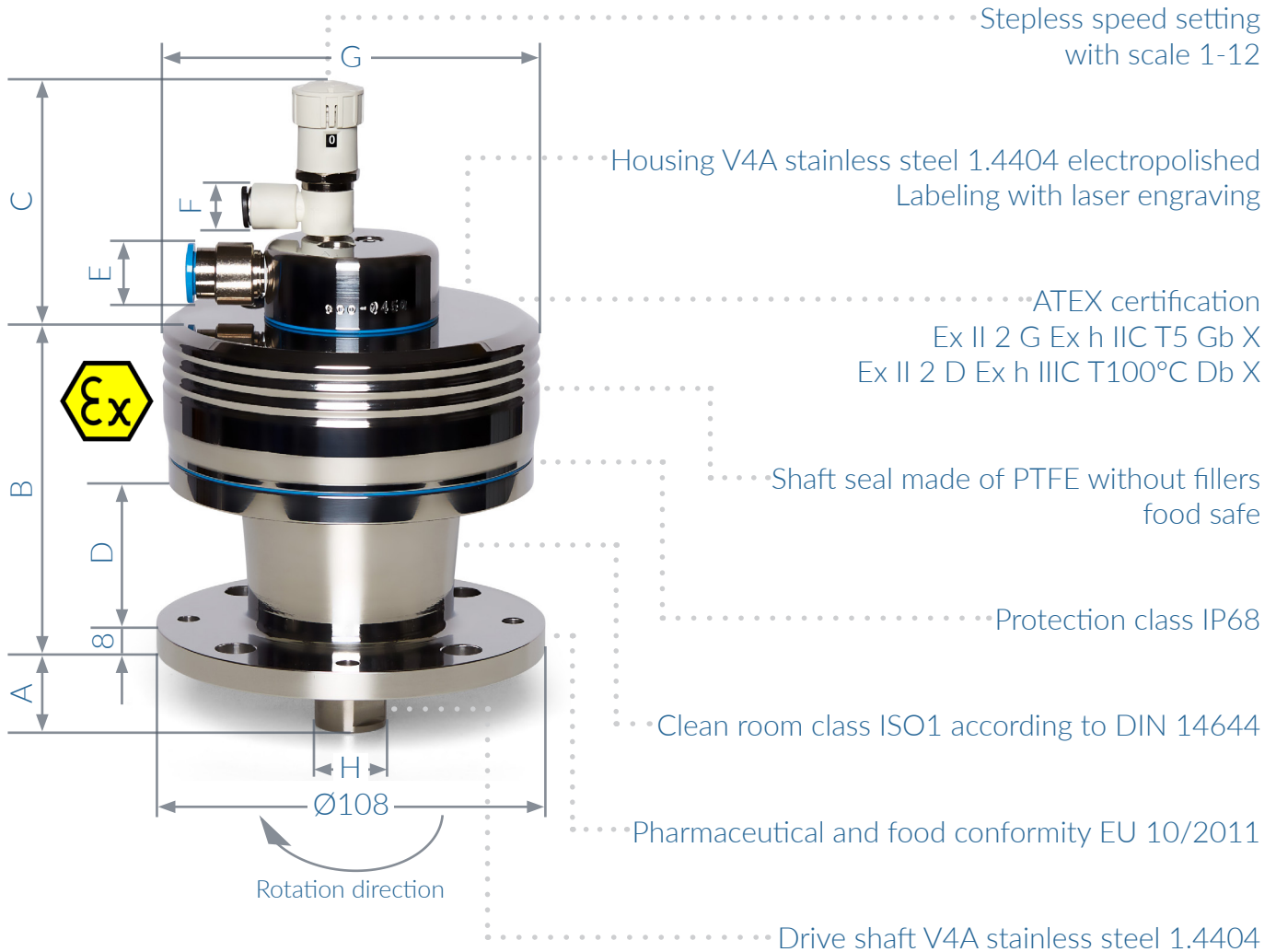


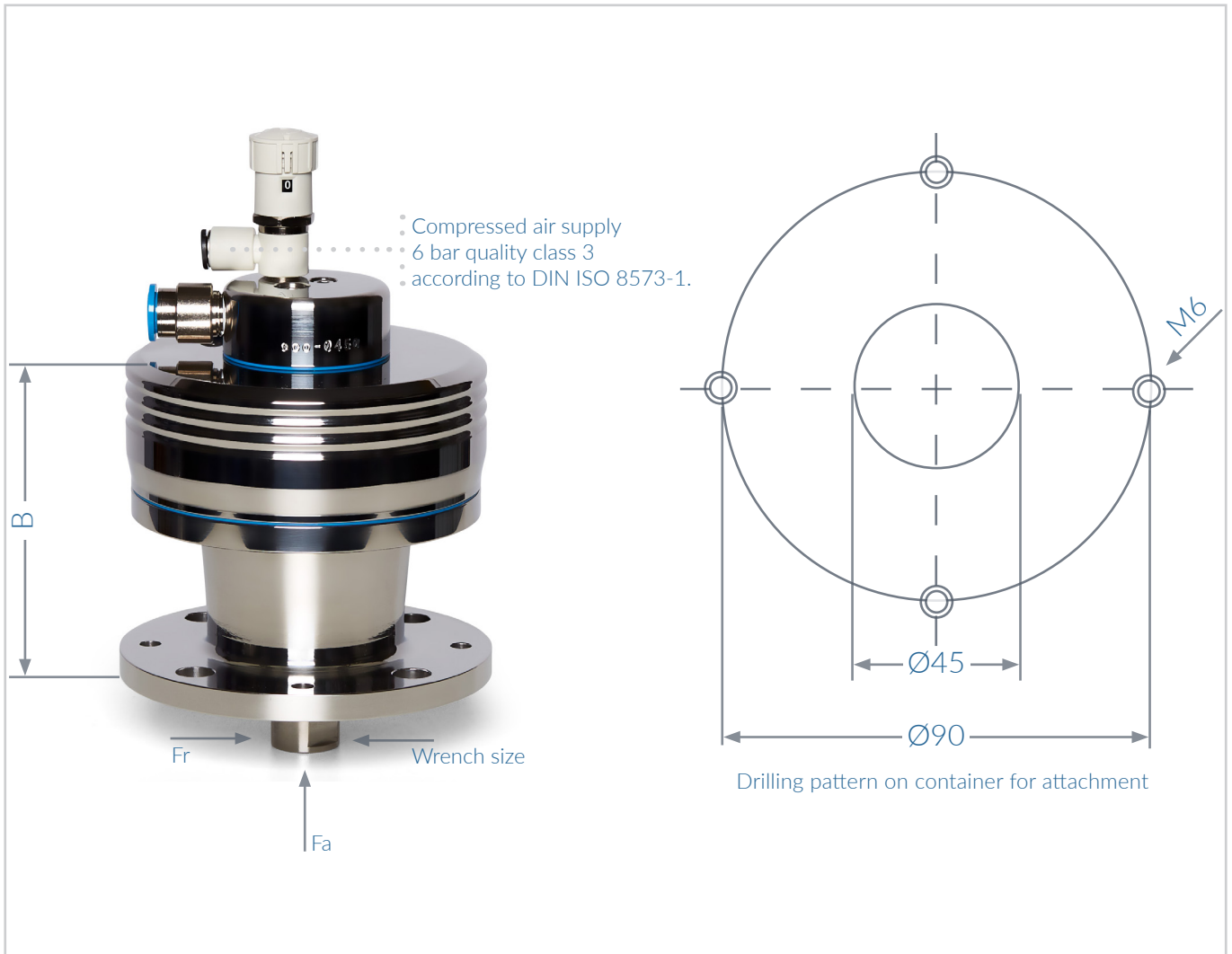
Agitator drive eco-Drive INOX^{V2}



Drive sizes	Art. No.	Medium air consumption	A	B	C	D	E	F	G	H
eco-Drive 450 INOX ^{V2} with threaded hub M12	6025	25 l/min	22	94.5	75	39.5	10	6	104	Ø20
eco-Drive 900 INOX ^{V2} with threaded hub M12	6026	50 l/min	22	109	75	39.5	10	6	104	Ø20
eco-Drive 1800 INOX ^{V2} with threaded hub M16	6027	100 l/min	27	115.5	75	40	12	8	169	Ø28
eco-Drive 3600 INOX ^{V2} with threaded hub M16	6028	200 l/min	27	137.5	75	40	12	8	169	Ø28
eco-Drive 450 INOX eco-Quick ^{V2} (quick-change system for agitator shafts)	6029	25 l/min	51	94.5	75	39.5	10	6	104	Ø39
eco-Drive 900 INOX eco-Quick ^{V2} (quick-change system for agitator shafts)	6030	50 l/min	51	109	75	39.5	10	6	104	Ø39
eco-Drive 1800 INOX eco-Quick ^{V2} (quick-change system for agitator shafts)	6031	100 l/min	53	115.5	75	40	12	8	169	Ø44
eco-Drive 3600 INOX eco-Quick ^{V2} (quick-change system for agitator shafts)	6032	200 l/min	53	137.5	75	40	12	8	169	Ø44

All dimensions in mm.

WE GENERATE MOVEMENT IN SPECIAL ENVIRONMENTS.



Variants	B	Wrench size drive hub	Torque	Rotation speed	Radial load Fr	Axial load Fa
eco-Drive 450 INOX ^{v2}	94.5	SW17	4 Nm	0-300 rpm	400 N	100 N
with transmission 1:2	137	SW17	2 Nm	0-600 rpm	400 N	100 N
with transmission 3:1	137	SW17	12 Nm	0-100 rpm	400 N	100 N
with transmission 9:1	163	SW17	36 Nm	0-33 rpm	400 N	100 N
eco-Drive 900 INOX ^{v2}	109	SW17	8 Nm	0-300 rpm	400 N	100 N
with transmission 1:2	151	SW17	4 Nm	0-600 rpm	400 N	100 N
with transmission 3:1	151	SW17	24 Nm	0-100 rpm	400 N	100 N
with transmission 9:1	177	SW17	72 Nm	0-33 rpm	400 N	100 N
eco-Drive 1800 INOX ^{v2}	115.5	SW24	16 Nm	0-300 rpm	800 N	200 N
with transmission 1:2	165.5	SW24	8 Nm	0-600 rpm	800 N	200 N
with transmission 3:1	165.5	SW24	48 Nm	0-100 rpm	800 N	200 N
with transmission 9:1	197	SW24	144 Nm	0-33 rpm	800 N	200 N
eco-Drive 3600 INOX ^{v2}	137.5	SW24	32 Nm	0-300 rpm	800 N	200 N
with transmission 1:2	187.5	SW24	16 Nm	0-600 rpm	800 N	200 N
with transmission 3:1	187.5	SW24	96 Nm	0-100 rpm	800 N	200 N
with transmission 9:1	219	SW24	288 Nm	0-33 rpm	800 N	200 N

WE GENERATE MOVEMENT IN SPECIAL ENVIRONMENTS.